
USB2.0 SINGLE INTERFACE SERIES

TLC-1000-U2-10 10X USB2.0 FHD PTZ Video Camera





TLC-1000-U2-10
10X USB2.0 FHD PTZ Video Camera



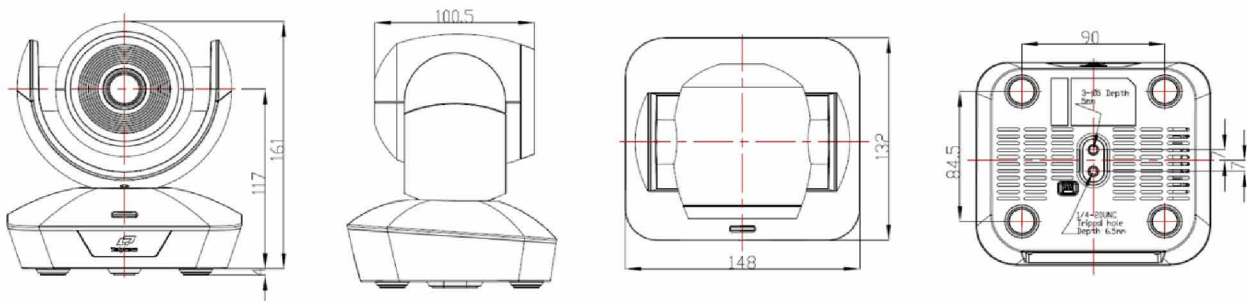
Telycam TLC-1000-U2-10 is cost effective 10X USB2.0 HD PTZ video camera for small room and middle room video conferencing, to offer enterprise-class image and flexible control.

FEATURES

- Adopted advanced industrial grade ISP, and 1/2.8 5MP CMOS sensor, to output crisp image.
- Full HD 1080p/30 resolution.
- 10x optical zoom, with 62.5 degree wide angle FOV, along with smooth pan/tilt rotation
- WDR, BLC, 3D noise reduction and exposure compensation value to be adjustable via OSD menu with applied environment.
- Plug and play: USB2.0 video streaming output, compatible with major leading video conferencing software: Zoom, Skype for business, Vidyo, BlueJeans, Webex, Google Hangout, Trueconf, Gotomeeting ect, at different operation system Windows, Mac, Android and Linux.
- FECC (Far End Camera Control) supported.
- Standard VISCA and UVC1.5 Protocol, PTZ control and firmware, upgrade via RS232 and USB
- 128 precise and fast presets.
- Support multiple mount way: available to install on desk, monitor, tripod or up-side down in-ceiling.



Dimensional Drawing (mm)



TECHNICAL SPEC

Model Number	TLC-1000-U2-10
Camera	
Sensor	1/2.8 inch high quality 5MP HD CMOS sensor,
Resolution/Frame Rate	1920x1080P30, 1280x720P30, 640x480P30
Video Format	MJPEG
Lens Zoom	10x optical zoom, 12x digital zoom
Focal length	f = 4.7(wide) ~ 47mm(Tele)
View Angle	6.43° (wide) ~ 62.5° (Tele)
SNR	>50dB
Noise Reduction	2D/3D
Minimum LUX	0.1 LUX
White Balance	Auto / Manual
Focus	Auto / Manual
Iris	Auto / Manual
Electronic Shutter	Auto / Manual
BLC	Supported
Mechanism	
Pan Rotation Angle	-170° ~ +170°
Tilt Rotation Angle	-30° ~ +90°
Pan Rotation Speed	0°~120°/s
Tilt Rotation Speed	0°~80°/s
Preset	128 presets via RS232, 10 presets via remote controller
Control	RS232/RS485/USB/Remote Controller
Video Port	USB2.0
Input voltage	DC12V
Camera Dimension	148mm×132mm×161mm
Package Dimension	28x24x24cm
Package Content	Camera, Remote Controller, RS232 cable, USB3.0 cable, Power Supply